

20001.2 - 1P 16AX 1-way switch 2M grey



Data

Code	20001.2
Family	Eikon / Devices / Basic devices
Description	1P 16 AX 250 V~ 1-way switch, lightable, replaceable button, grey - 2 modules
Product Status	3 - Active
Minimum order quantity	20 NR
Mark	VIMAR

Sheets, Manuals, Documentation

- [IG - General/techn.features \(33817 kb\)](#)

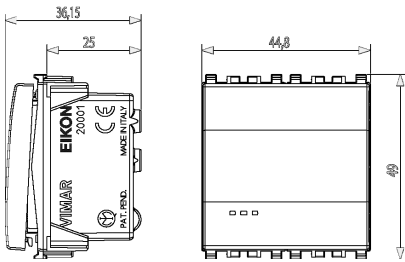
Certifications

- 01. IMQ - Italy ([Certified download](#))
- 04. NF - France
- 05. SEV - Switzerland
- 09. VDE - Germany
- 10. EAC - Customs Union
- 14. TSE - Turkey
- 15. CCC - China
- 19. NOM - Mexico
- 20. IRAM - Argentina
- 29. QCERT - Colombia
- 30. Saudi Arabia registration

Drawings

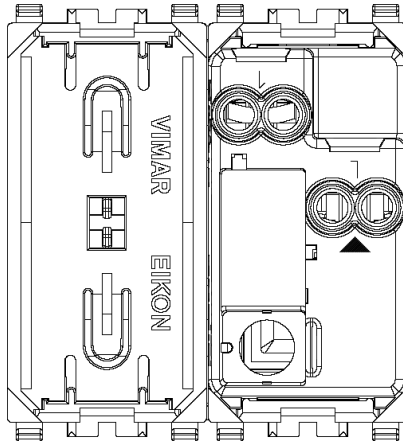
Space view

- [download .png](#)
- [download .dxf](#)



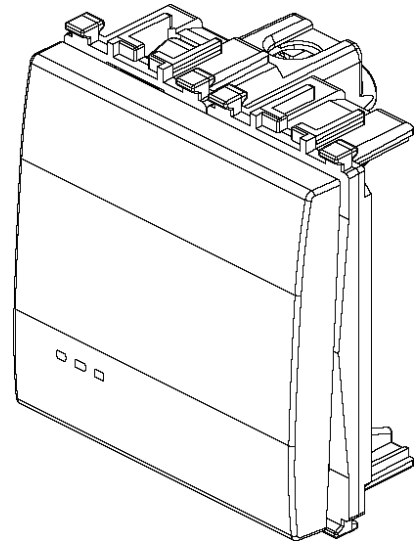
Backside view

- [download .png](#)
- [download .dxf](#)



3D View

- [download .png](#)
- [download .dxf](#)



Packaging



Code: 8007352281707
Quantity: 1 NR
Dim.: 5.1x4.3x5.3cm
Weight: 32.4g



Code: 8007352281714
Quantity: 20 NR
Dim.: 26.9x11.6x9cm
Weight: 729g